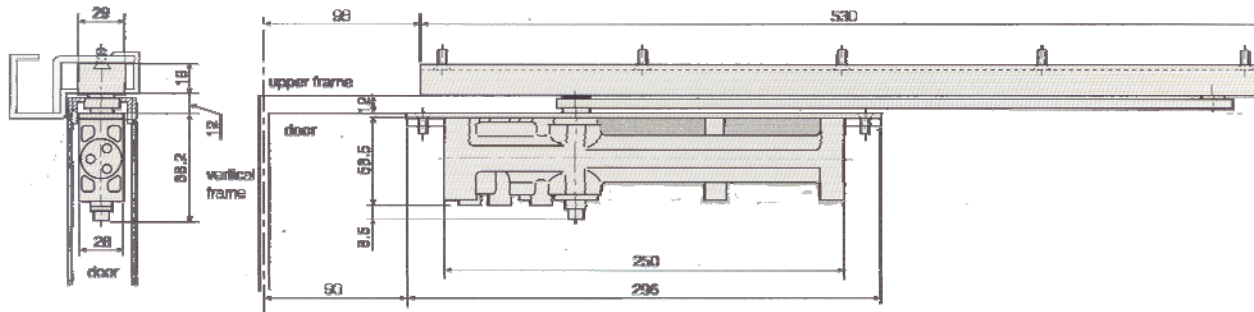
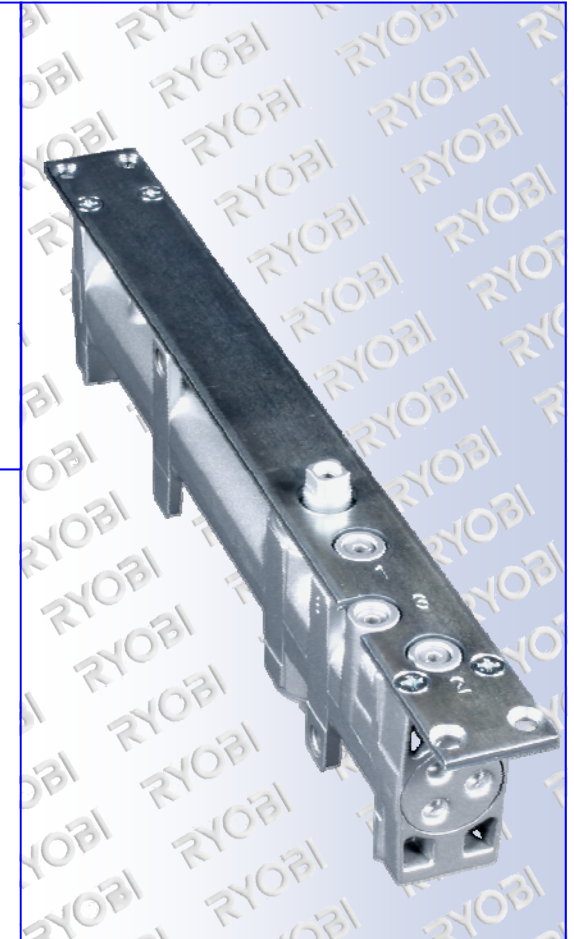
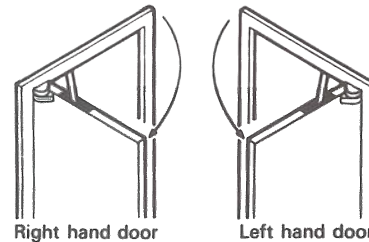


PRODUCT DATA SHEET

RYOBI CONCEALED DOOR CLOSER - SIZE 3
01 5300 0101 (For Right Hand Door Applications)
01 5300 0201 (For Left Hand Door Applications)

- Fully Concealed Door Closer with Track Arm.
- Fixed Power Size 3.
- 3 Section Speed Control
- Slim 28mm Casting
- For use in Steel, Aluminium, & Timber Doors
- Max Door Size—Width 950mm, Height 2100mm, Wt 65Kg
- For Fire Doors, use in conjunction with **0153000060** Therm-a-Flex Intumescent Kit

Specify Left Hand, and Right Hand Applications as shown in Diagram Below



International Door Controls

Unit 23, Timmis Road
 Lye, Stourbridge
 West Midlands DY9 7BQ

Tel: 01384 893333 Fax: 01384 894837
 Email: info@int-door-controls.com

PRODUCT:

CONCEALED DOOR CLOSER

CODE:

0153000101 (RH) 0153000201 (LH)