

PRODUCT DATA SHEET

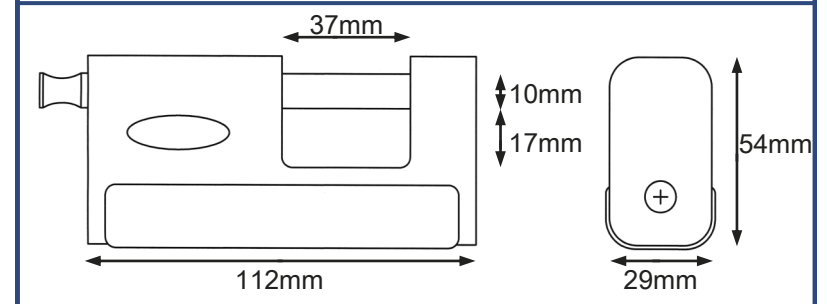
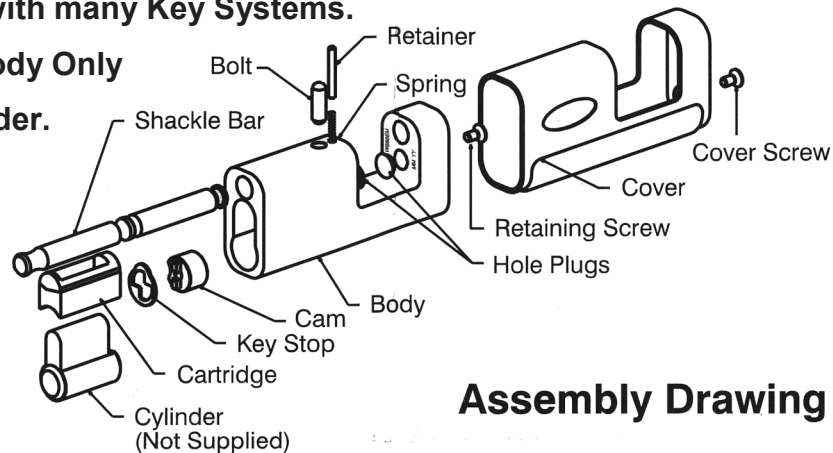


BULLIT SHUTTER LOCK

SQ-WS50-EM - Squire Bullit Shutter Lock 112 x 54mm 10mm Shackle.

- Accepts Europrofile Cylinder.
- Conforms to BS EN 12320 Grades 3 & 4 with approved cylinder.
- Corrosion Resistant Electrophoretic Black Coating.
- 10mm diameter Hardened boron Alloy Steel Shackle.
- Solid Hardened Steel Lock Body.
- Integrates with many Key Systems.
- Supplied Body Only

or with Cylinder.



International Door Controls Ltd

Unit 23, Timmis Road
Lye, Stourbridge
West Midlands DY9 7BQ

Tel: 01384 893333 Fax: 01384 894837
Email: info@int-door-controls.com

PRODUCT:

SQUIRE BULLIT SHUTTER LOCK

CODE:

SQ-WS50-EM