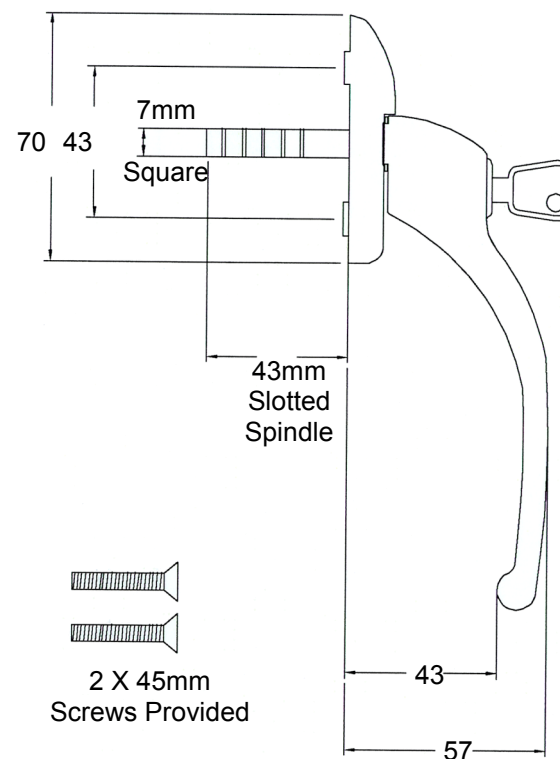


PRODUCT DATA SHEET

CONNOISSEUR UNIVERSAL REPLACEMENT WINDOW HANDLE (43mm)

110000**43**WH /HG/PC/SC

- Finishes: White, Hardex Gold, Polished Chrome, & Satin Chrome
- Die Cast to BSEN 12844
- 43mm Spindle
- Non Handed
- 5 Year Guarantee
- Colour Co-ordinated Screw Cover Caps
- Locking in Closed Position Only
- 10 per Box - 60 per Carton



International Door Controls

Unit 23, Timmis Road
Lye, Stourbridge
West Midlands DY9 7BQ

Tel: 01384 893333 Fax: 01384 894837
Email: info@int-door-controls.com

PRODUCT:

CONNOISSEUR WINDOW HANDLE

CODE:

11000043WH/HG/PC/SC