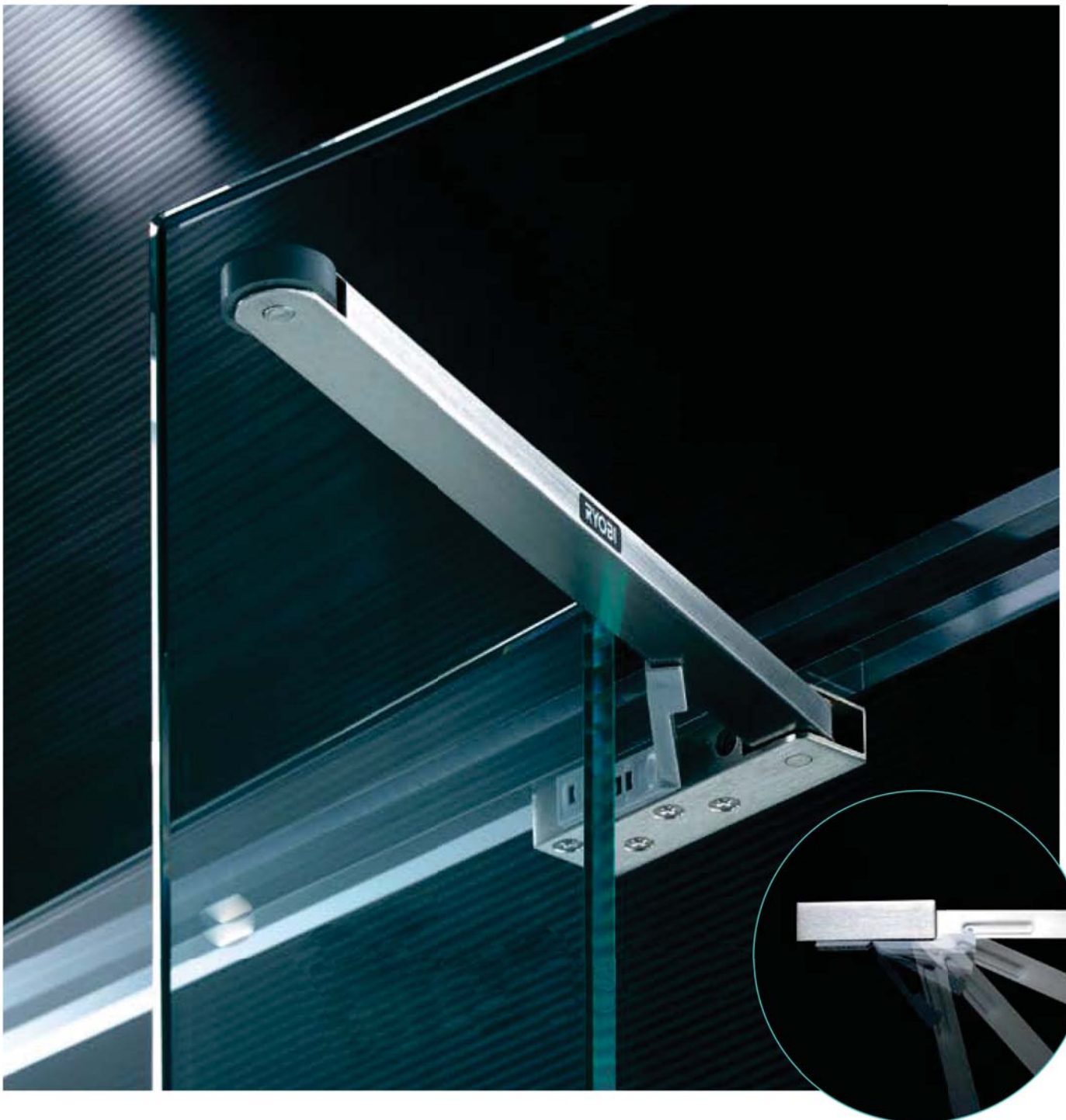


RYOBI

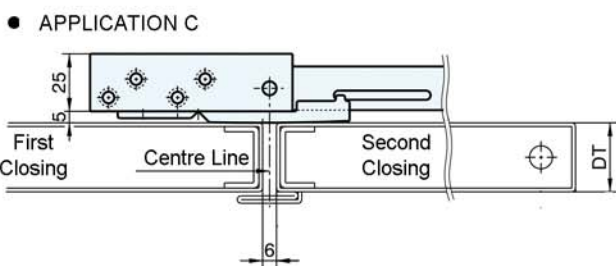
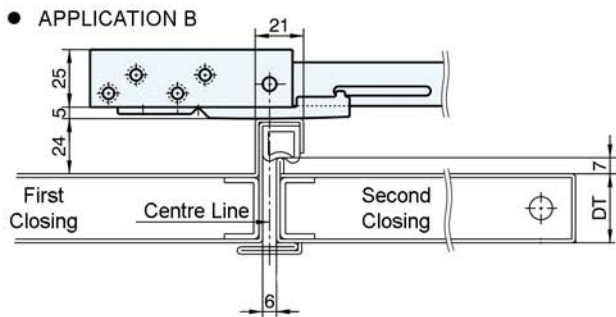
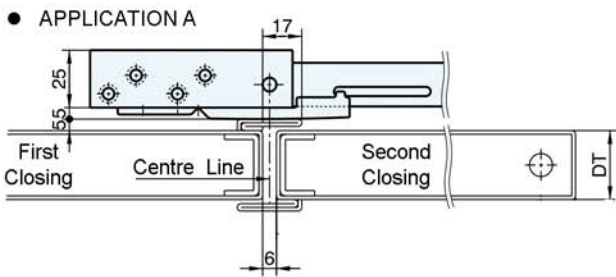
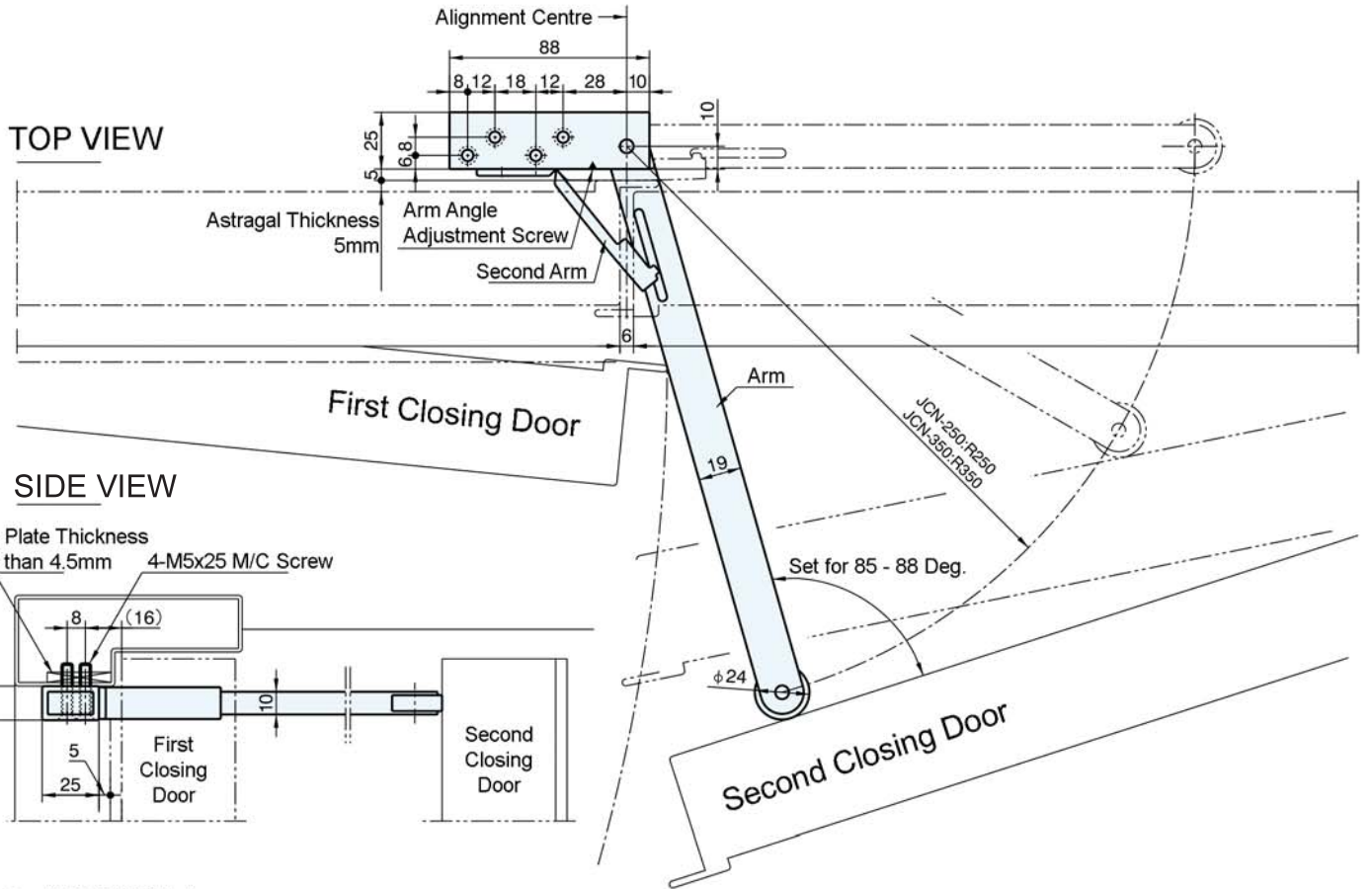
DOOR COORDINATOR

JCN-250 JCN-350 SERIES

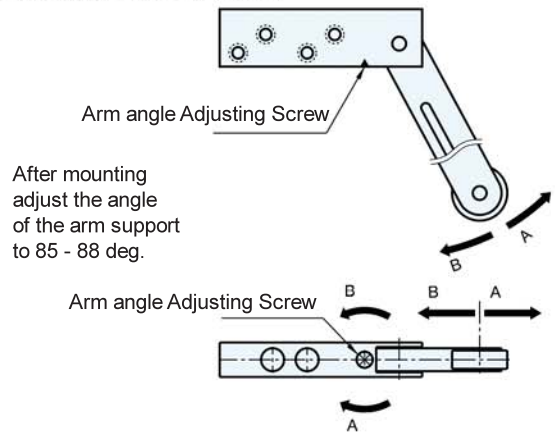


DOOR COORDINATOR

JCN-250 · JCN-350



● Adjusting the Angle of the Arm

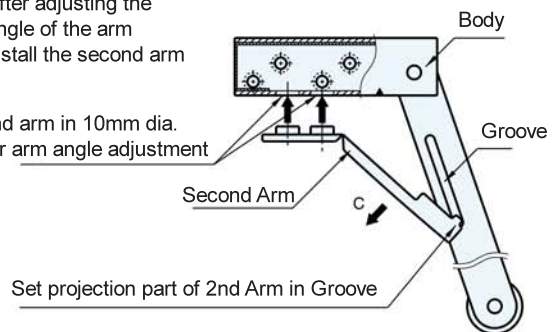


After mounting adjust the angle of the arm support to 85 - 88 deg.

● Installation of the Second Arm

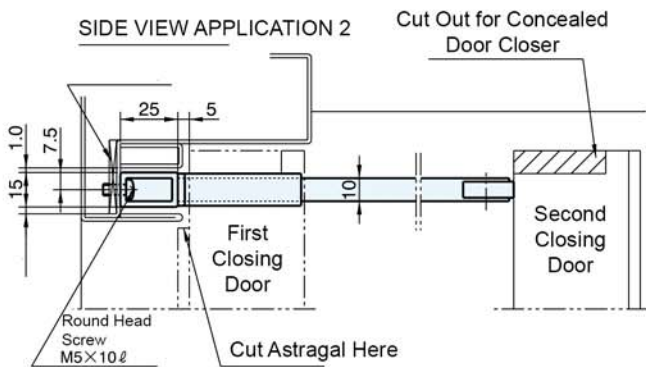
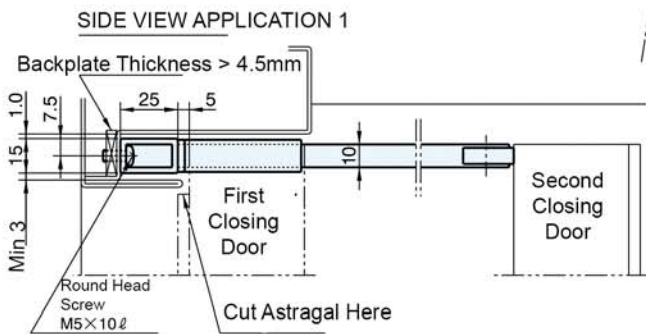
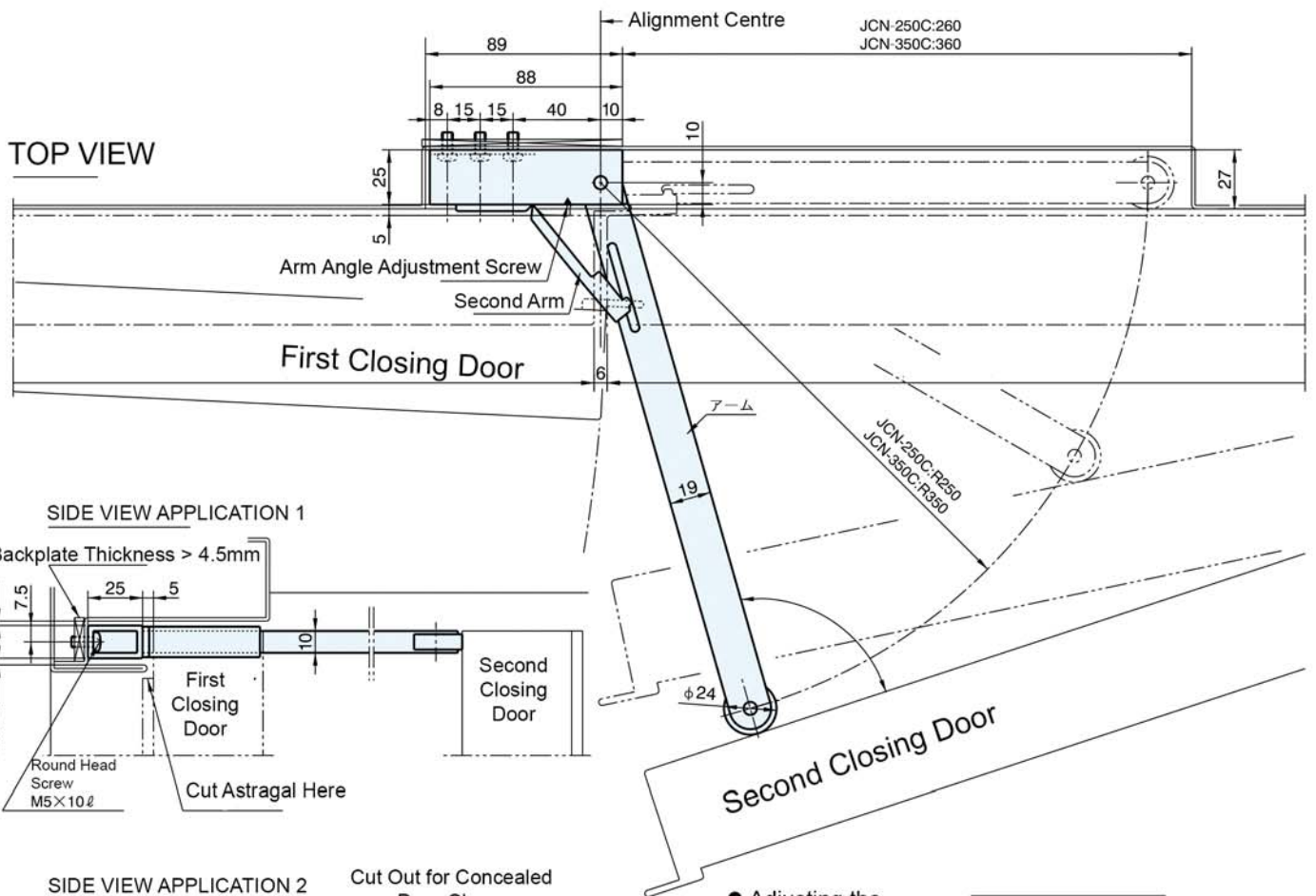
After adjusting the angle of the arm install the second arm

Set second arm in 10mm dia. holes after arm angle adjustment



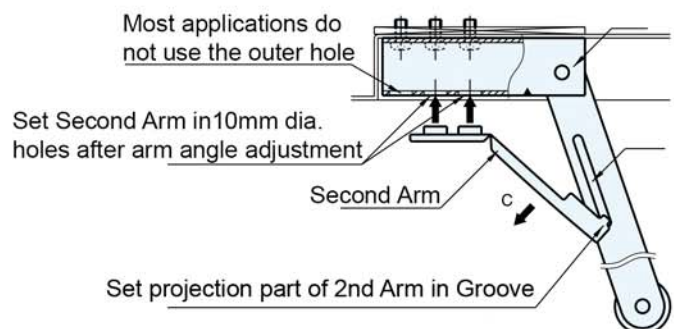
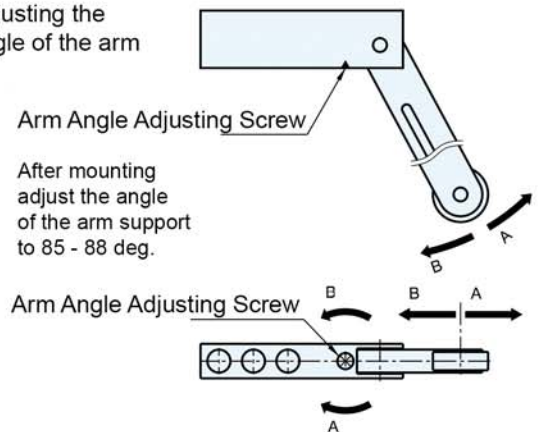
DOOR COORDINATOR

JCN-250C · JCN-350C

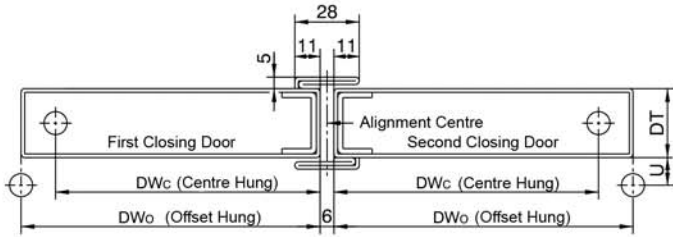


When used in conjunction with a concealed door closer.
Set in position under the part of door cut out for the door closer mechanism.

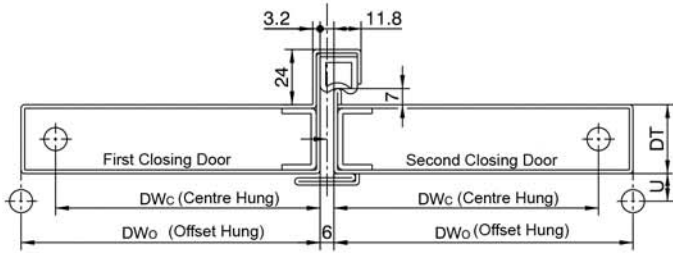
- Adjusting the angle of the arm



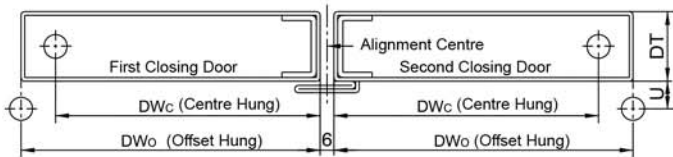
● JCN-250 / JCN-350 ALIGNMENT TYPE A



● JCN-250 / JCN-350 ALIGNMENT TYPE B



● JCN-250 / JCN-350
JCN-250C / JCN-350C



Maximum Door Width (Alignment Type A)

U	DWo (Offset Hung Type)								DWc Centre Hung	
	22		25		28		40		JCN-250	JCN-350
DT	JCN-250	JCN-350	JCN-250	JCN-350	JCN-250	JCN-350	JCN-250	JCN-350		
40	1280	2710	1240	2650	1200	2600	1010	2370	1790	2860
45	1270	2700	1220	2640	1150	2590	910	2360	1810	2890
50	1190	2690	1110	2640	1050	2580	830	2350	1840	2930
55	1070	2680	1010	2630	950	2570	740	2340	1880	2960
60	970	2670	910	2620	860	2560	670	2330	1910	3000

Minimum Door Width - Offset Hung : JCN-250—DWo : 490mm JCN-350—DWo : 680mm
- Centre Hung : JCN-250—DWc : 510mm JCN-350—DWc : 720mm

- Clearance between First Closing Door, and Second Closing Door is to be more than 10mm When First Closing Door passes Second Closing Door supported by Arm
- Distance from the edge of the Second Closing Door to the contact point of the arm is more than 10mm.

Maximum Door Width (Alignment Type B)

U	DWo (Offset Hung Type)								DWc Centre Hung	
	22		25		28		40		JCN-250	JCN-350
DT	JCN-250	JCN-350	JCN-250	JCN-350	JCN-250	JCN-350	JCN-250	JCN-350		
40	890	2310	830	2260	790	2210	610	2000	1330	2220
45	800	2300	750	2250	710	2200	560	1990	1340	2230
50	720	2290	680	2240	640	2190	510	1910	1360	2260
55	650	2280	610	2200	580	2110	480	1770	1380	2290
60	590	2140	560	2050	530	1970	—	1630	1410	2320

Minimum Door Width - Offset Hung : JCN-250—DWo : 460mm JCN-350—DWo : 650mm
- Centre Hung : JCN-250—DWc : 440mm JCN-350—DWc : 630mm

- Clearance between First Closing Door, and Second Closing Door is to be more than 10mm When First Closing Door passes Second Closing Door supported by Arm
- Distance from the edge of the Second Closing Door to the contact point of the arm is more than 10mm.

U	DWo (Offset Hung Type)								DWc Centre Hung	
	22		25		28		40		JCN-250	JCN-350
DT	JCN-250	JCN-350	JCN-250	JCN-350	JCN-250	JCN-350	JCN-250	JCN-350		
40	1450	3390	1380	3430	1310	3470	1060	3080	1770	2820
45	1340	3460	1270	3400	1210	3310	960	2920	1790	2850
50	1230	3300	1160	3240	1100	3140	870	2750	1820	2890
55	1120	3180	1060	3080	1000	2980	780	2590	1850	2920
60	1020	3010	960	2920	900	2820	710	2440	1880	2960

Minimum Door Width - Offset Hung : JCN-250 / JCN-250C—DWo : 480mm
JCN-350 / JCN-350C—DWo : 690mm

Minimum Door Width - Centre Hung : JCN-250 / JCN-250C—DWc : 520mm
JCN-350 / JCN-350C—DWc : 730mm

- Clearance between First Closing Door, and Second Closing Door is to be more than 10mm When First Closing Door passes Second Closing Door supported by Arm
- Distance from the edge of the Second Closing Door to the contact point of the arm is more than 10mm.

RYOBI

is a registered trade mark of Ryobi Ltd

RYOBI LIMITED

5-2-8 Toshima, Kita-ku
Tokyo 114-8518
JAPAN



International Door Controls Ltd

Unit 23, Timmis Road, Lye
Stourbridge, West Midlands DY9 7BQ
T: 01384 893333 F: 01384 894837
E: info@int-door-controls.com