

# PRODUCT DATA SHEET

## **MONARCH** EN1935 GRADE 13 BUTT HINGE STAINLESS STEEL 114mm x 102mm

**M250-SS**

Monarch 114 x 102mm Ball Race Butt Hinge c/w Machine Screws.

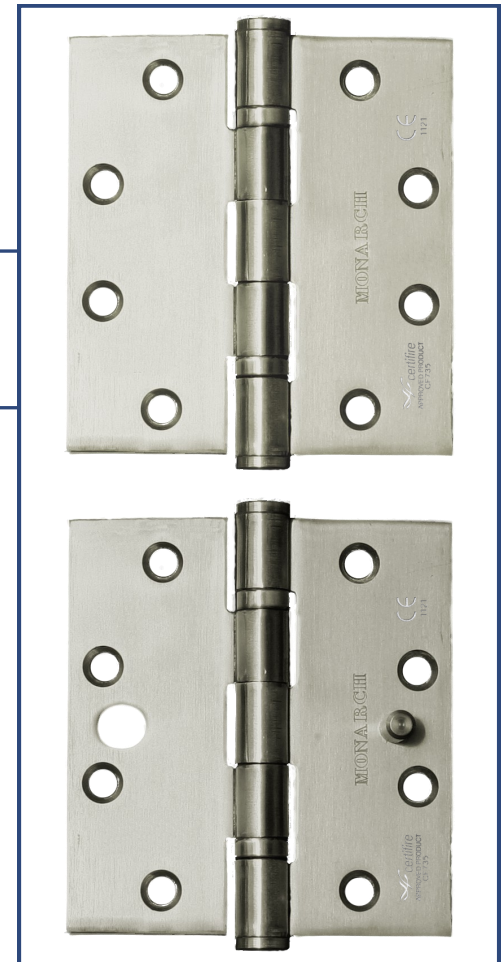
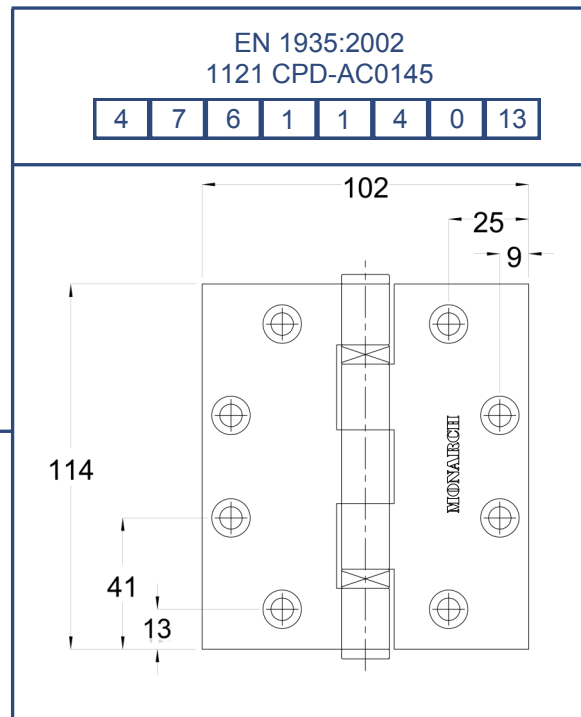
**M250DB-SS**

Monarch 114 x 102mm Ball Race Butt Hinge c/w Dog Bolt and Machine Screws.

- Nominal Dimensions 114mm x 102mm x 3mm.
- Manufactured from Satin Finish Stainless Steel.
- Tested and certified to EN1935 Grade 13.
- CE Marked.  Approved CF735
- Supplied as standard with M6 x 16 machine screws.
- Available with Security Stud (Dog Bolt).
- Can be supplied with Radius Corners.
- Supplied in pairs.

### INSPECTION & MAINTENANCE

All Ball Bearing Stainless Steel Hinges are lubricated with grease during the manufacturing process. It is normal for excess grease to seep from the knuckle of the hinge when first used. Any such deposit should be removed with a suitable cleaning agent. Subsequent lubrication should be applied using a light lubricating/machine oil at appropriate intervals according to the application. Fixings should be checked periodically to ensure they are secure.



### International Door Controls Ltd

Unit 23, Timmis Road  
Lye, Stourbridge  
West Midlands DY9 7BQ

Tel: 01384 893333 Fax: 01384 894837  
Email: [info@int-door-controls.com](mailto:info@int-door-controls.com)

PRODUCT:

**MONARCH BUTT HINGE 114 X 102mm**

CODE:

**M250-SS / M250DB-SS**