

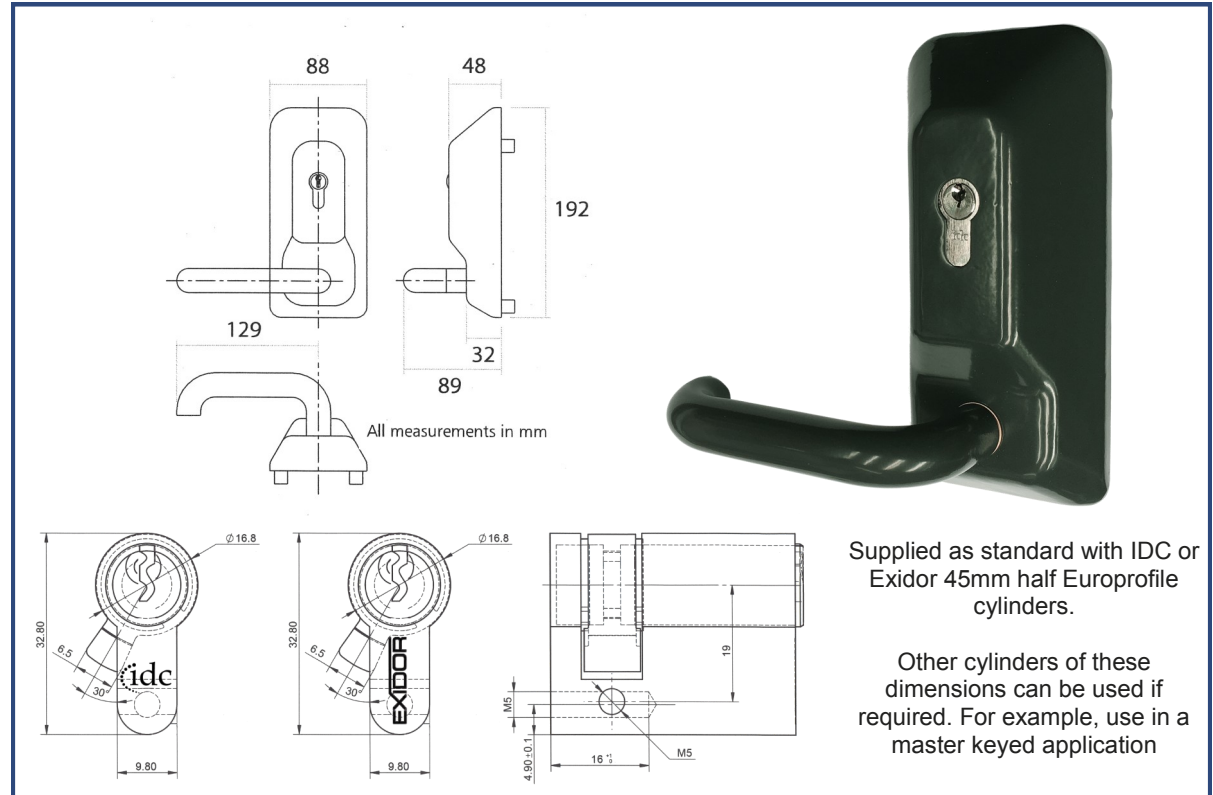
PRODUCT DATA SHEET

HEAVY DUTY OUTSIDE ACCESS DEVICE LEVER OPERATED



0210081024 / 710 Heavy Duty OAD Lever Operated

- Certified for use with Exidor 700 Series emergency exit hardware. Use of any other OAD will invalidate CE marking on these products.
- Non Handed.
- Meets the dimensional requirements of BS8300 and Approved Document "M".
- Surface mounted using concealed machine screws.
- Supplied as standard for doors up to 45mm thick.
- Longer spindles available for doors over 45mm



This OAD is manufactured from stainless steel which helps prevent force and drill attack, and incorporates cylinder protection to prevent manipulation. When locked, the mechanism is disengaged allowing the lever to move freely. When unlocked, the lever, spindle, and mechanism engage allowing the bolts to be withdrawn from the outside. The lever remains engaged until it is re-locked.



International Door Controls Ltd

Unit 23, Timmis Road
Lye, Stourbridge
West Midlands DY9 7BQ

Tel: 01384 893333 Fax: 01384 894837
Email: info@int-door-controls.com

PRODUCT:

HEAVY DUTY OUTSIDE ACCESS DEVICE

CODE:

0210081024 / 710