

EURO MODULAR MORTICE LOCK



- **Modular case for rapid installation.**
- **72mm centres (Bathroom Lock 78mm), 55mm Backset.**
- **8mm Solid Steel Follower.**
- **Easily reversible latchbolt in solid brass (no tools required).**
- **Double throw deadbolt in solid steel with 20mm projection.**
- **Suitable for sprung, and light un-sprung lever furniture**
- **Satin stainless steel faceplate and strike in square and radius versions.**
- **Compatible with bolt through furniture and escutcheons of 38mm centres.**



Successfully type-tested for conformity to all of the requirements of EN12209:2003



Indices 066620 Series locks are approved by Certifire (Certificate CF 5486)



Successfully passed and exceeded 240-minute fire test of metal door assemblies to EN 1634-1:2014



All EN/CE/Certifire tests certified by Exova Warrington Fire/Warrington APT.



CE Declaration of Conformity available on request



Meets the dimensional recommendations of BS8300 and Approved Document "M"

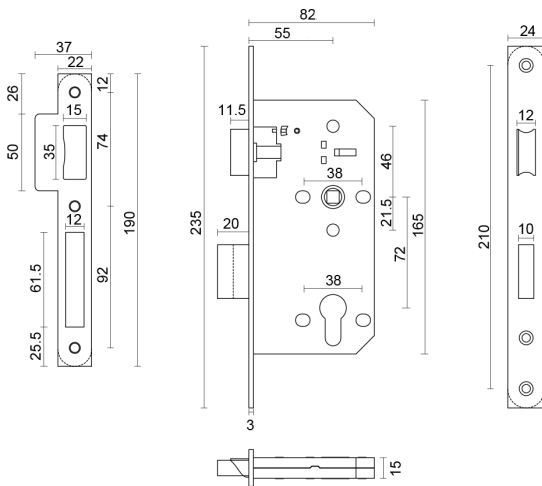
EURO MODULAR MORTICE LOCK



0666621RSS - Indices Euro Sashlock (Radius)
0666621SSS - Indices Euro Sashlock (Square)

EN12209:2003 Classification

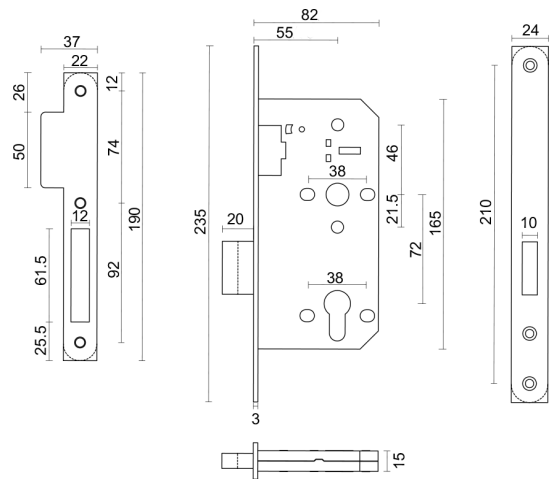
3	S	7	1	0	G	3	B	C	2	0
---	---	---	---	---	---	---	---	---	---	---



0666622RSS - Indices Euro Deadlock (Radius)
0666622SSS - Indices Euro Deadlock (Square)

EN12209:2003 Classification

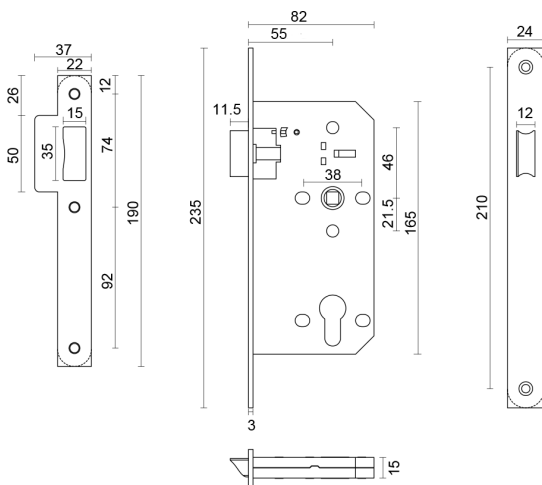
3	S	7	1	0	G	3	B	C	0	0
---	---	---	---	---	---	---	---	---	---	---



0666623RSS - Indices Euro Latch (Radius)
0666623SSS - Indices Euro Latch (Square)

EN12209:2003 Classification

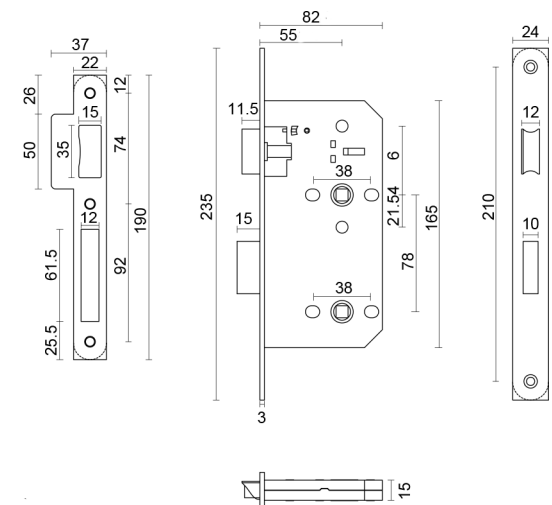
3	S	7	1	0	G	-	B	0	2	0
---	---	---	---	---	---	---	---	---	---	---



0666627RSS - Indices Euro Bathroom (Radius)
0666627SSS - Indices Euro Bathroom (Square)

EN12209:2003 Classification

3	S	7	1	0	G	-	B	0	2	0
---	---	---	---	---	---	---	---	---	---	---



Dimensions in mm