

PRODUCT DATA SHEET

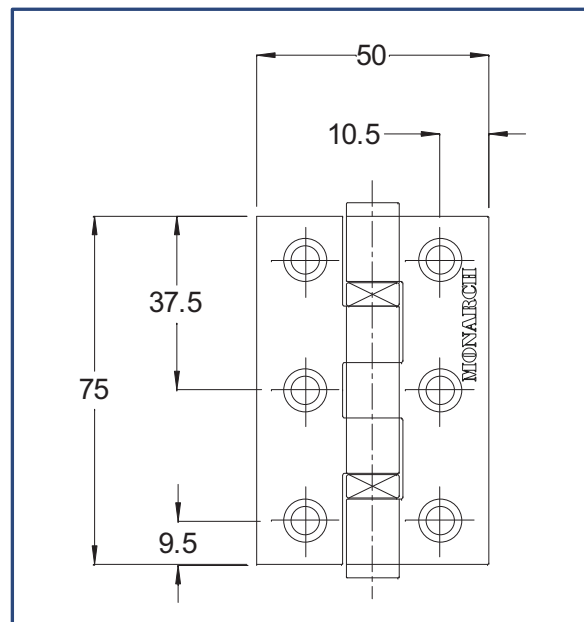
MONARCH EN1935 GRADE 7 BUTT HINGE STAINLESS STEEL 75mm x 50mm

M322-CE-PS Monarch 75 x 50mm Ball Race Butt Hinge Polished Stainless Steel.
M322-CE-SS Monarch 75 x 50mm Ball Race Butt Hinge Satin Stainless Steel.

- Nominal Dimensions 75mm x 50mm x 2mm.
- Manufactured from Stainless Steel.
- Available in Satin or Polished Finish.
- Supplied in pairs.
- 50 pairs per carton.

LUBRICATION.

All Ball Bearing Stainless Steel Hinges are lubricated with grease during the manufacturing process. It is normal for excess grease to seep from the knuckle of the hinge when first used. Any such deposit should be removed with a suitable cleaning agent. Subsequent lubrication should be applied using a penetrating lubricant at appropriate intervals according to the application.



International Door Controls Ltd

Unit 23, Timmis Road
Lye, Stourbridge
West Midlands DY9 7BQ

Tel: 01384 893333 Fax: 01384 894837
Email: info@int-door-controls.com

PRODUCT:

MONARCH BUTT HINGE 75mm x 50mm

CODE:

M322-CE-PS / M322-CE-SS