

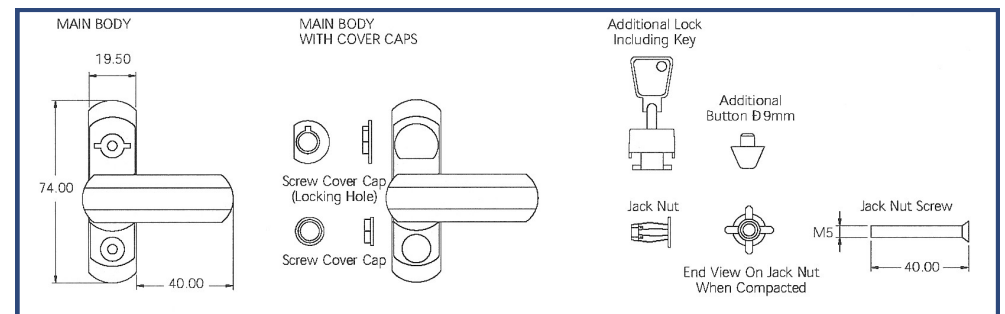
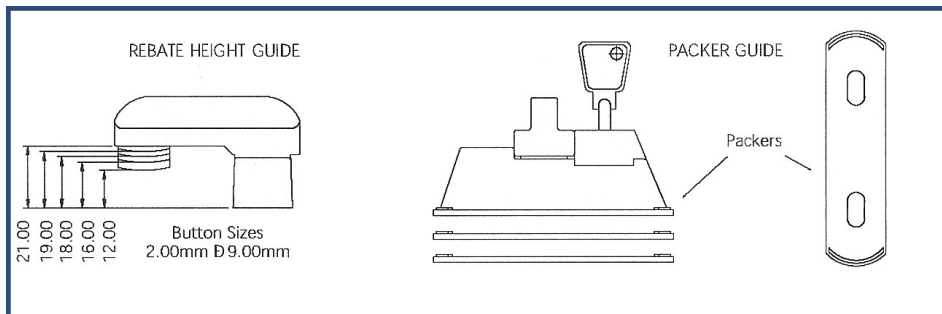
PRODUCT DATA SHEET

LOCKING SASH JAMMER

11000920HG - HARDEX GOLD

11000920WH - WHITE

- Greatly increases security on all windows.
- Screws into existing installations to supplement existing locking devices.
- Will suit all PVCu window and door systems.
- Can be fitted on open-in or open-out window & door systems.
- Available in Hardex Gold & White.
- Can be fitted securely to reinforced & non-reinforced sections.



International Door Controls

Unit 23, Timmis Road
Lye, Stourbridge
West Midlands DY9 7BQ

Tel: 01384 893333 Fax: 01384 894837
Email: info@int-door-controls.com

PRODUCT:

LOCKING SASH JAMMER

CODE:

11000920HG & 11000920WH

First Issue 28/06/07