

1. QUIET

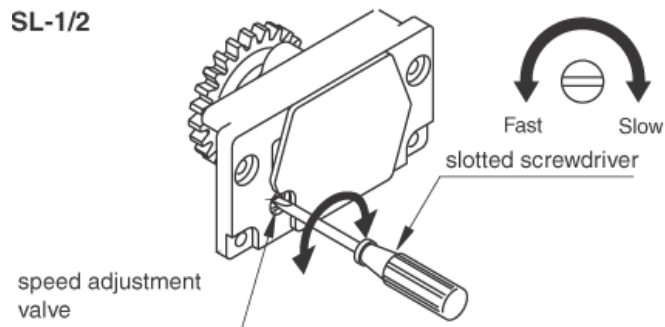
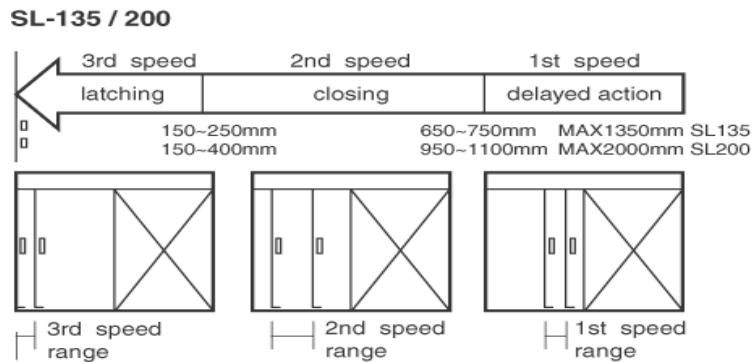
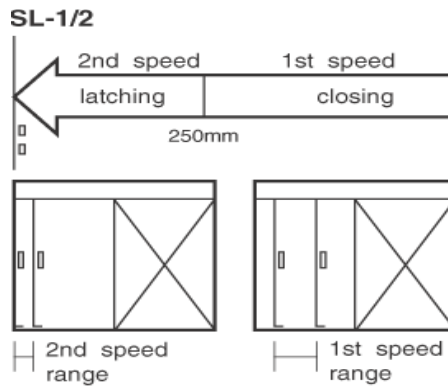
Operation is absolutely quiet and smooth due to the adoption of a hydraulic mechanism for all models. No undesirable collision sound is produced at open / close-time.

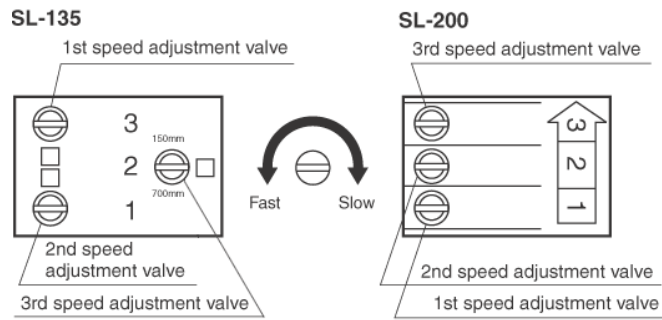
2. HIGH DURABILTY

Excellent durability has been proven. The SL-1/2 and SL-135 ensure 1,000,000 times and the SI-200 ensures 500,00 times of smooth opening and closing, respectively.

3. SPEED CONTROL

The SL-135 and SL-200 provide three closing speed control ranges (Delayed action range, closing speed range and latching speed range). The SL-1/2 provides two closing speed control ranges (Closing speed range and latching speed range).





4. DELAYED ACTION

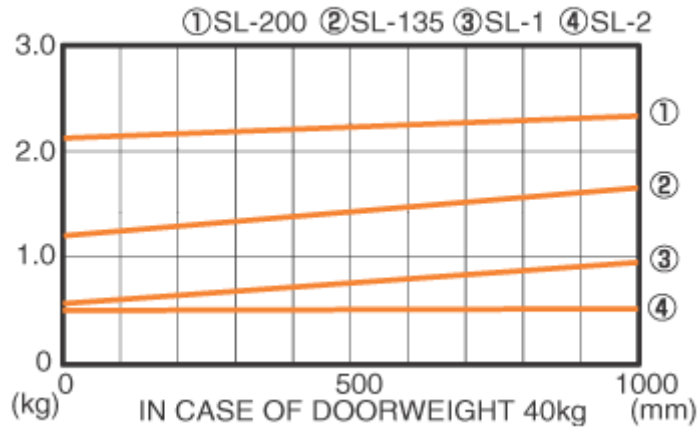
The delayed action feature is adjusted by means of an independent valve. Once set, the door-when opened over 650mm to 700mm for SL-135 (over 950mm to 1,000mm for SL-200)-enters into a delayed mode allowing additional time before the closing. Delayed time can be adjusted to vary from seconds to minutes depending on the position where the door is opened. Delayed Closing Action is an advantage to : Nursing staff assisting patients, Domestic staff pushing meals or maintenance trolleys, and the elderly or infirm walking with sticks or frames under supervision.

5. NO DEAD SPACE

Unlike swing doors, no dead space is required for opening and closing. The available space can be used as you like.



OPENING FORCE



6. EASY OPENING AND CLOSING

A precise production for every components decreased opening resistance to the lowest for elderly and handicapped persons.

