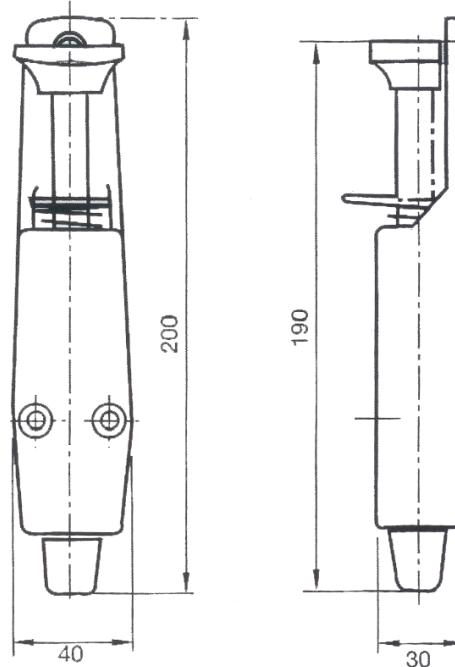


PRODUCT DATA SHEET

STEP- ON DOOR HOLDER

- Heavy Duty Design for Metal or Wooden Doors
- Body Material - Die Cast Zinc.
- White Rubber Buffer
- Lift 30mm
- Silver Finish



International Door Controls

Unit 23, Timmis Road
Lye, Stourbridge
West Midlands DY9 7BQ

Tel: 01384 893333 Fax: 01384 894837
Email: info@int-door-controls.com

PRODUCT:

STEP-ON DOOR HOLDER

CODE:

IDC 7139

First Issue 04/01/07