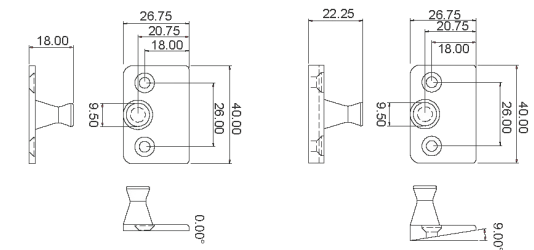
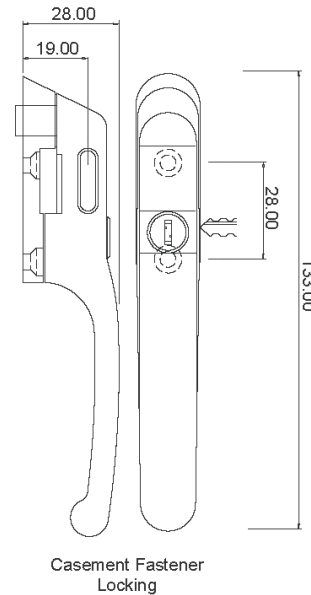
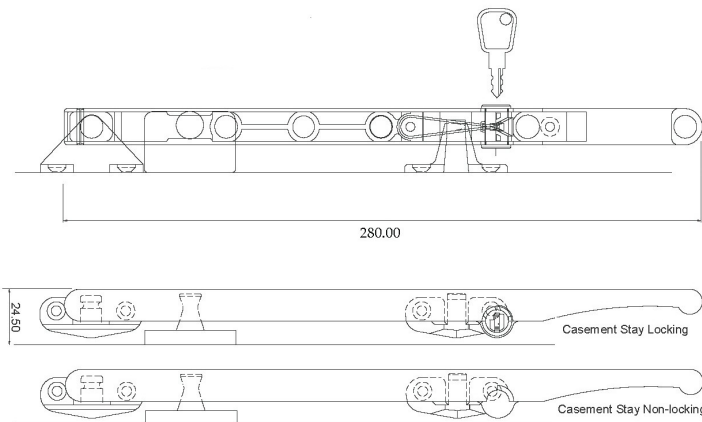


PRODUCT DATA SHEET

TIMBER WINDOW CASEMENT STAYS & FASTENERS

- Available in Key Locking & Non Locking for Security & Safety.
- Meets BSEN 1670:1998 - 240 Hours Corrosion Resistance
- Available in Black, White, Gold & Chrome.
- Die Cast Design for Reliable Performance.
- Supplied with Straight & EJMA Accessories.



International Door Controls

Unit 23, Timmis Road
Lye, Stourbridge
West Midlands DY9 7BQ

Tel: 01384 893333 Fax: 01384 894837
Email: info@int-door-controls.com

PRODUCT:

TIMBER WINDOW STAYS & FASTENERS

CODE:

12TWCFKL/FNL/SKL/SNL